



## B46 J1

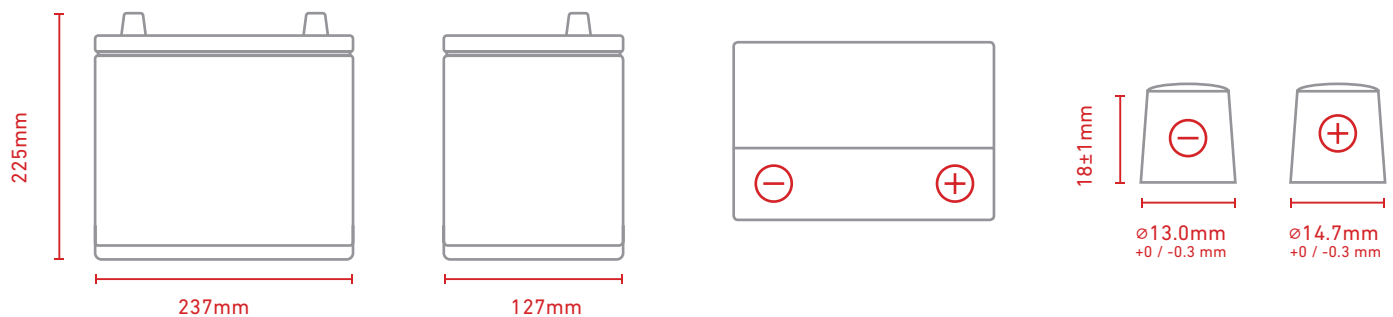
46Ah | 12V | 420A

### Electrical Specifications

Nominal voltage	12V
Nominal capacity (20h)	46Ah
CCA (-18°C)	420A
Energy (20h, 25C)	538Wh
Cranking power (10s, -18°C)	2.8kW

### Mechanical Specifications

Measurements (L x W x H)	237 x 127 x 225 mm
Approx. weight	11.9kg
Base hold-down	B0
Layout / terminals	0 / 3
Polarity	DX
Technology	Flooded
Case material	PP/PE (black)
Lid material	PP/PE (black)



ANTI SPILLING SYSTEM



-18°C TESTED



FLAME ARRESTOR



95% RECYCLABLE



BUILT WITH GREEN ENERGY



MAINTENANCE-FREE

