



B60 J2

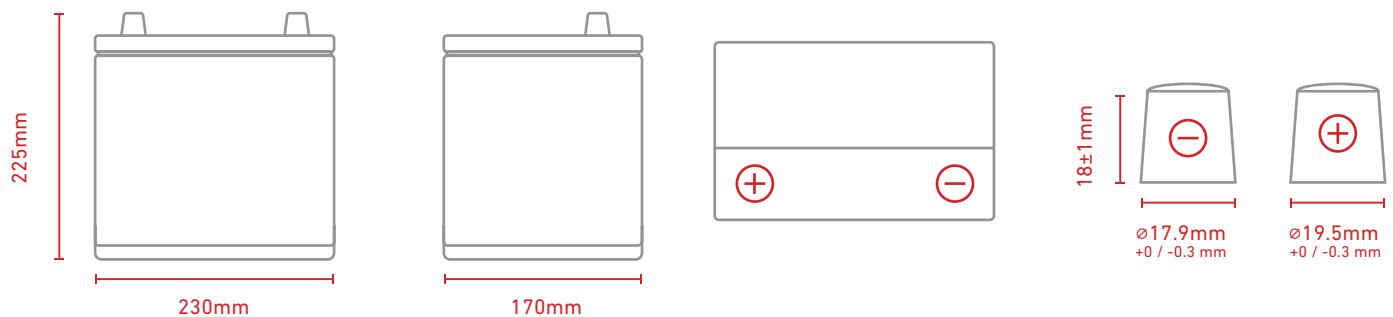
60Ah | 12V | 500A

Electrical Specifications

Nominal voltage	12V
Nominal capacity (20h)	60Ah
CCA (-18°C)	500A
Energy (20h, 25C)	717Wh
Cranking power (10s, -18°C)	3.8kW

Mechanical Specifications

Measurements (L x W x H)	230 x 170 x 225 mm
Approx. weight	15.5 kg
Base hold-down	B0
Layout / terminals	1 / 1
Polarity	SX
Technology	Flooded
Case material	PP/PE (black)
Lid material	PP/PE (black)



ANTI SPILLING SYSTEM



-18°C TESTED



FLAME ARRESTOR



95% RECYCLABLE



BUILT WITH GREEN ENERGY



MAINTENANCE-FREE

