

# DC 115s

## AGM DEEP CYCLE

12V | 115Ah | 100h



### Electrical Specifications

Nominal voltage	12V
Capacity (25°C)	115Ah at C <sub>100</sub>
Internal resistance (25°C)	4.3mΩ
Temperature effect on capacity	104% at 40°C 100% at 25°C 83% at 0°C 65% at -15°C
Residual capacity after storage (25°C)	3 months: 91% 6 months: 82% 12 months: 65%
Constant charging voltage Cycle (25°C)	14.5 to 14.9V (initial charging current < 30A)
Float charge voltage (25°C)	13.6 to 13.8V

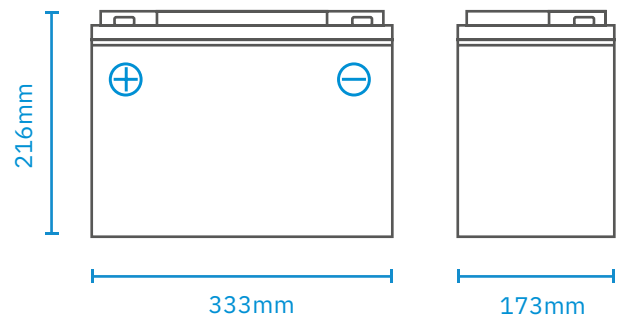
### Discharge Specifications

Capacity C <sub>100</sub>	115Ah
Capacity C <sub>20</sub>	100Ah
Capacity C <sub>10</sub>	95Ah
Capacity C <sub>5</sub>	86Ah
Capacity C <sub>3</sub>	76Ah
Discharge current testing (25°C)	1h rate (55A) : 56Ah 3h rate (25A) : 76Ah

### Mechanical Specifications

Measurements (L × W × H)	333 × 173 × 216mm
Approx. weight	32.4kg
Terminal type	T3

### Measurements



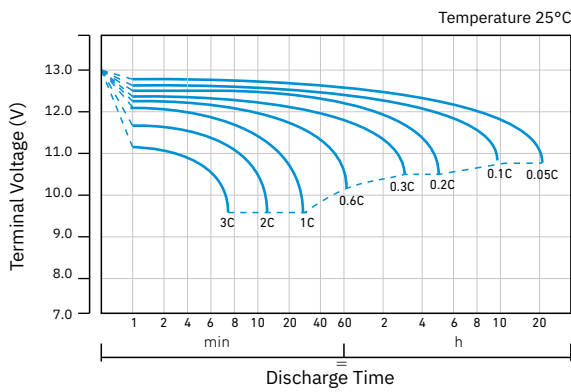
### Constant Current Discharge Characteristics (A) 25°C

F.V. / Time	10 min	15 min	30 min	60 min	2 h	3 h	5 h	8 h	10 h	20 h
<b>9.60V</b>	220.2	157.2	108.1	65.1	36.5	26.4	18.5	12.2	10.2	5.3
<b>10.2V</b>	209.2	168.2	104.1	62.5	36.0	26.0	18.2	12.1	10.1	5.2
<b>10.5V</b>	203.2	164.2	101.1	61.2	35.7	25.8	18.0	12.1	10.0	5.2
<b>10.8V</b>	196.2	160.2	98.9	59.4	35.3	25.5	17.8	12.0	10.0	5.1

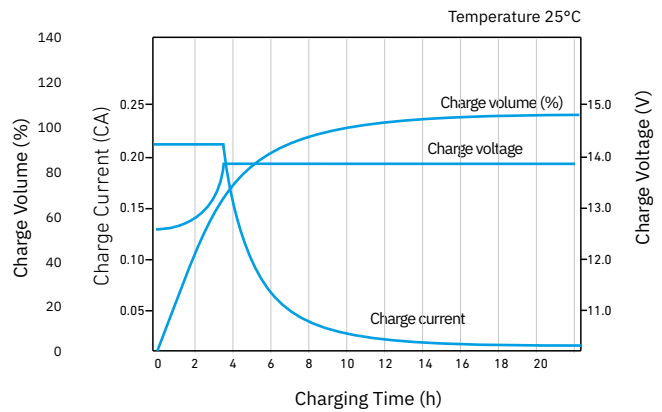
### Constant Power Discharge Characteristics 25°C

F.V. / Time	10 min	15 min	30 min	60 min	2 h	3 h	5 h	8 h	10 h	20 h
<b>9.60V</b>	2378.4	1923.9	1213.2	741.7	423.4	310.3	219.2	146.1	123.1	64.8
<b>10.2V</b>	2259.3	1846.8	1168.2	711.7	417.4	306.3	215.2	145.1	122.1	64.3
<b>10.5V</b>	2194.2	1801.8	1158.2	707.7	413.4	303.3	212.2	145.1	121.1	64.1
<b>10.8V</b>	2119.1	1758.8	1110.1	676.7	409.4	300.3	210.2	144.1	119.1	63.7

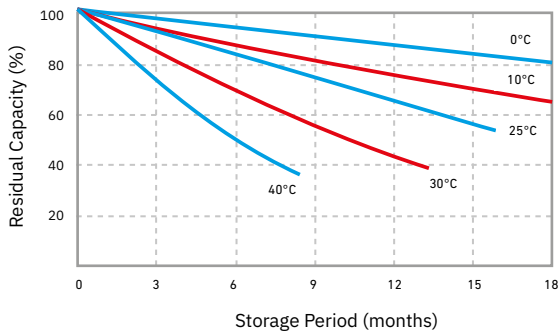
Discharge Characteristics Curve



Charge Characteristics Curve For Cycle Use (IU)



Residual Capacity



Float Life

