



# SC 20

**MPPT SOLAR CHARGE CONTROLLER**  
260/520 Wp | 12/24 V



## Electrical Specifications

max. Solar Module Capacity [Wp]	260/520
max. Solar Module Current	20A
max. Solar Module Voltage	55V
Battery Nominal Voltage (DC)	12/24V
max. Charging Current Battery	20A
Stand-by Current Consumption	4mA

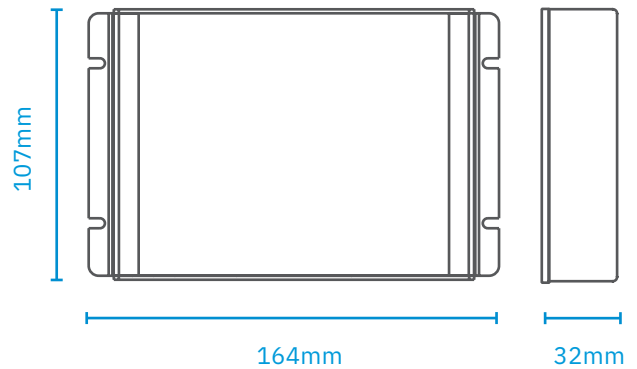
## Mechanical Specifications

Measurements	164 x 107 x 32 mm
Weight	700g
Number of Charging Outputs	1
Connector: 12 V loads	yes
Ambient Conditions	max. 95% humidity, no condensation

## Functions

Overcharge Protection	yes
Short Circuit Protection	yes
Unit Fuse	35A
Protection Overloading, Overheating and Reverse Polarity	yes
Connector: Temperature Sensor	yes
Charging Cable Compensation	yes

## Measurements



## Charging Characteristics (Settable for battery types: Lead Acid, AGM, Gel, LiFePO4)

